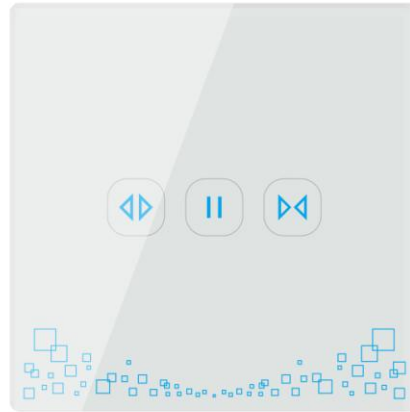


Curtain Switch



CT-HAZB1010-SHB

Introduction

The Curtain Switch is a wall switch with built-in ZigBee module which has the advantages of low power consumption, low data rate and low complexity of wireless network technology, also has a high reliability and stability. It also support local and remote control, touch panel and mobile control, which can carry out remote monitoring, to make people's lives more convenient.

Feature

- Support local and remote control;
- Two-way control, user can custom the track and motor;
- Use with temperature, humidity or illuminance detector to keep a comfortable environment.

Specification

- Wireless protocol: ZigBee (IEEE 802.15.4)
- Power supply: 220V AC 50/60 Hz
- Maximum load: 800W/resistive load
- Panel material: High quality tempered glass
- Load type: Electric curtains / shutter doors / garage doors / tubular motors
- Working temperature: -10 °C ~ + 60 °C
- Dimension: 86mm×86mm×36mm (Type 86)

Installation Instruction

Curtain Switch Installation

CAUTION: Cut off power supply at circuit breaker or fuse before installation to avoid fire, shock or death!

- 1) As shown in Fig.1, using the screwdriver to pry the gaps on the side of the switch to open the panel.

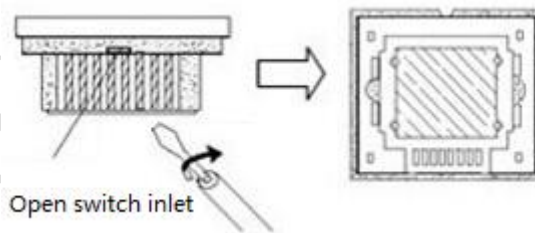


Fig.1

- 2) Using both hands to hold the switch panel and forcibly push up, switch panel is desirable.
- 3) Follow the wiring diagram to insert all wires into right terminals and tighten screws.

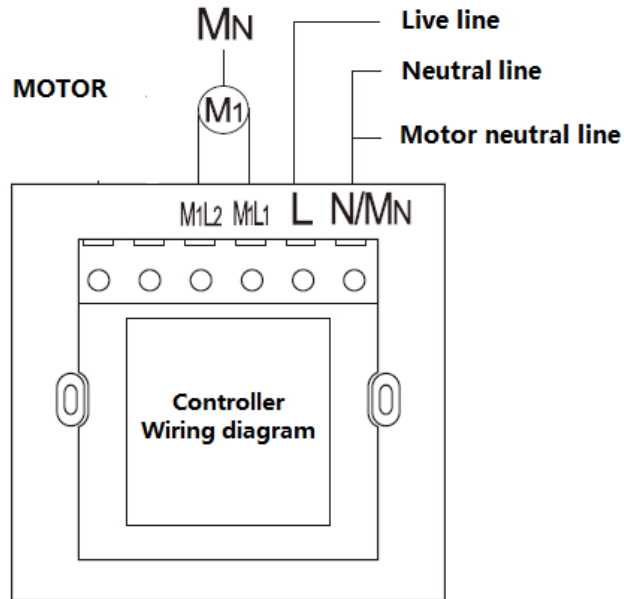


Fig.2

NOTES FOR THE DIAGRAM:

L - Terminal for 220V live lead

N - Terminal for 220V neutral lead

4 lines motor - M1L1 for the brown line, M1L2 for the black, neutral line for the blue (public).

M1L1 and M1L2 are motor control line terminals.

INSTALL THE SWITCH BASE

As shown in Fig.3, install the touch switch inside the wall box after wiring, then screw up to make it fixed on the wall. Put the base to the wall as well as cover and press the touch panel.

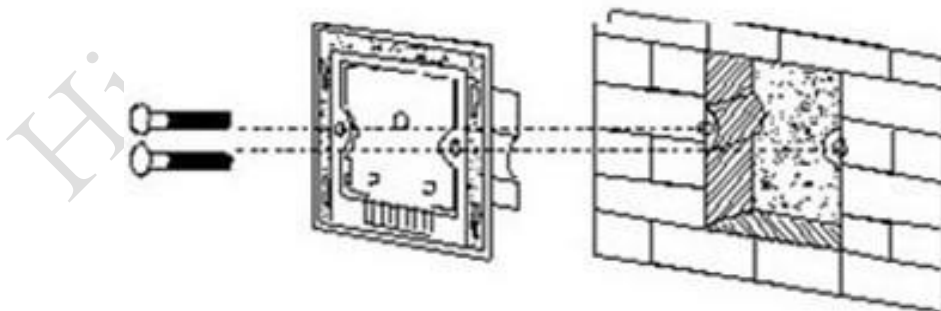


Fig.3

Using Instruction

As shown in fig. 4, there is a RESET button and a Network Status Indicated LED on the panel.

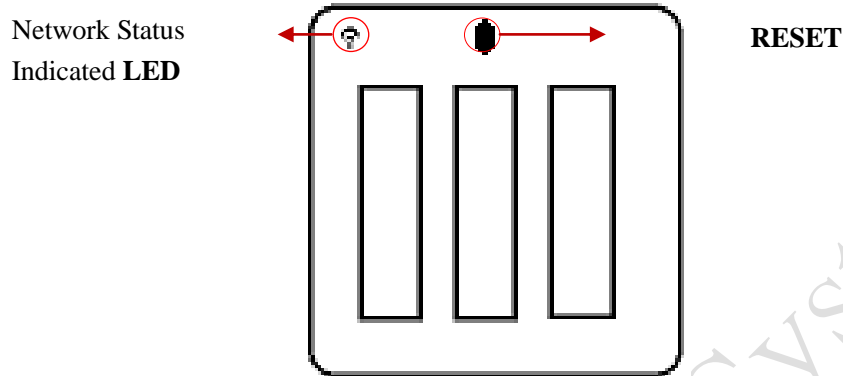


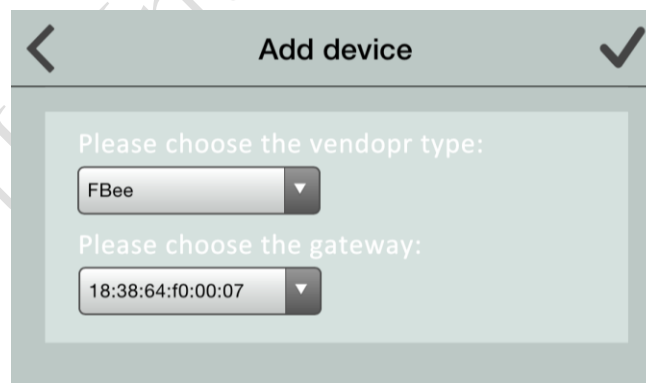
Fig.4

NETWORK ENTRY

- 1) Connect the power supply.
- 2) Long press the Reset button for 5 second.

The network status indicated LED on indicates that the device enters the network mode;

- 3) Choose "FBee" and the corresponding gateway on APP, then click "Save"



- 4) When prompt a message "Request Access Success", go to the device list interface to refresh the device list. The device will be displayed.

Safety Notice

- A qualified electrician with the understanding of wiring diagrams and knowledge of electrical safety should complete installation following the instructions.
- Before installation, please confirm the real voltage complying with the device's specification. Cut off any power supply to secure the safety of people and device.
- During installation, protect the device from any physical damage by dropping or bumping. If happened, please contact the supplier for maintenance.
- Avoid overexertion during operation, to protect device from mechanical damage.
- Read all instructions and documentation and save for future reference.

Hioth Integrated System